

JOHANSING IRON WORKS, INC.

E-mail Address: Sales@Johansing.com

849 Jackson Street, Benicia, CA 94510 (P) 361-8190 (F) 707-361-2349

HEAT EXCHANGER U-TUBE BUNDLE DATA SHEET

Your Company: _____ Contact Name: _____
 Contact Phone #: _____ Date of Request: _____
 Your E-Mail Address: _____

Please enter all relevant information: (Use Drawings for Reference if needed)

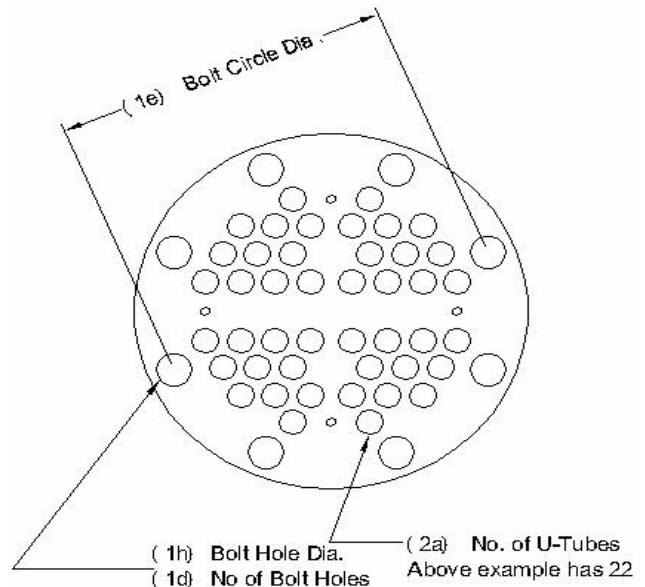
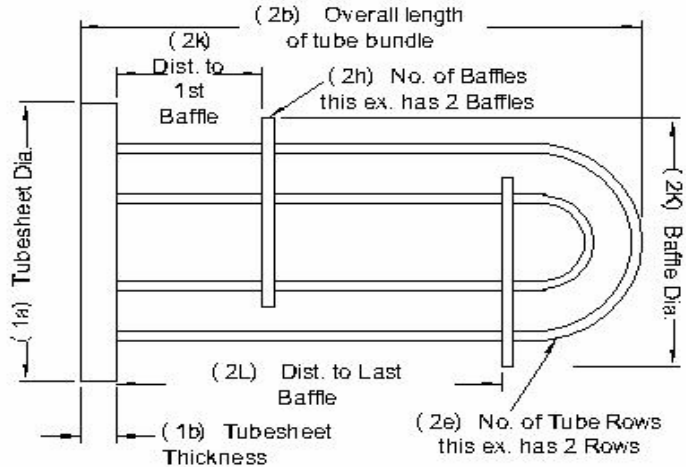
1 Tubesheet Data:

- a. Tubesheet Diameter: _____
- b. Tubesheet Thickness: _____
- c. Tubesheet Material: _____ (normally Steel or Brass)
- Is there a bolt pattern on the Tubesheet? Yes No
- IF YES: d. Number of Bolt Holes: _____ h. Bolt Hole Dia.: _____
- e. Bolt Circle Diameter: _____
- f. Do the Bolt Holes Straddle the Centerline: Yes or is there a Bolt Hole Top Dead Center Yes

2 U-Tube Data:

- a. Number of U-Tubes: _____
(the number of U-Tubes is 1/2 of no. of tube holes)
- b. Overall Length of Tube Bundle _____
- c. Outside Diameter of Tubing _____
- d. No. of Passes on Tube Side of Bundle (normally there are 2 or 4) _____
- e. No. of Tube Rows: _____
- f. Tube Material _____ (typ. Copper)
- g. Approx. Inside Diameter of Pipe which Bundle - must slide through _____
- h. Number of Baffles or tube supports (If any) _____
- i. Baffle Material _____
(normally baffle material is Steel or Brass)
- j. Baffle Diameter _____
- k. Distance to First Baffle _____
- l. Distance to Last Baffle _____

Additional information: _____



PRE-MANUFACTURING APPROVAL	
BY: _____	DATE: _____